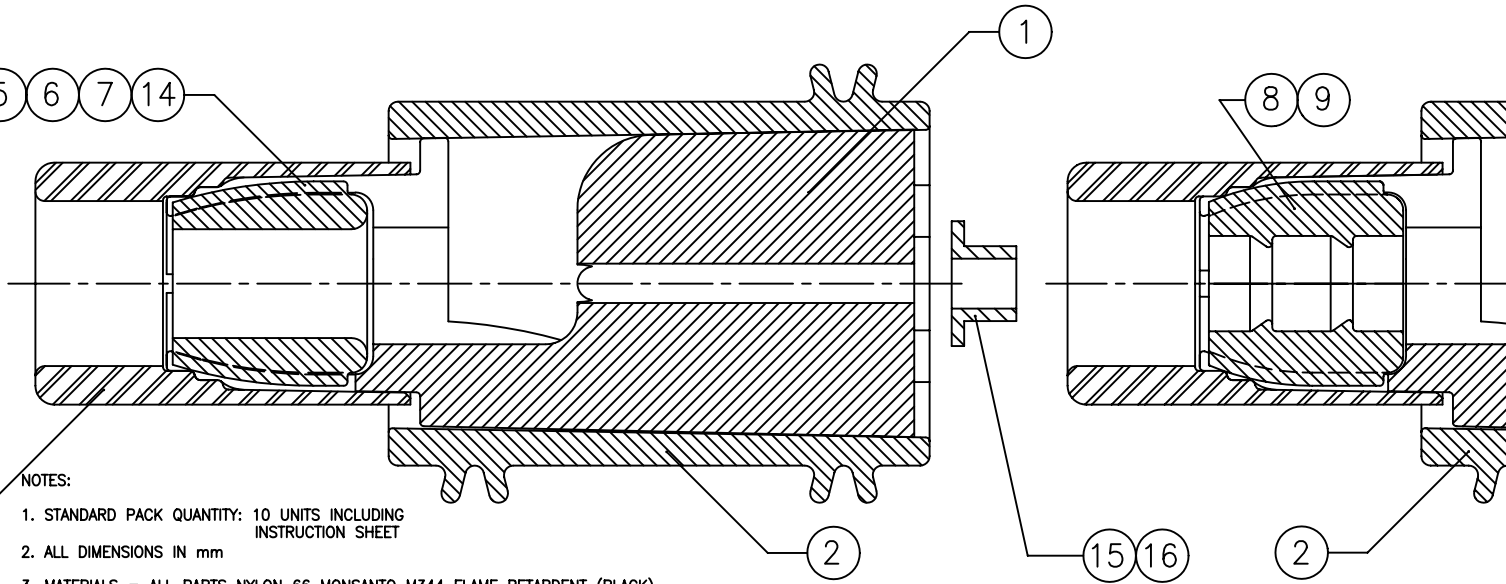


USED ON:

3 4 5 6 7 14

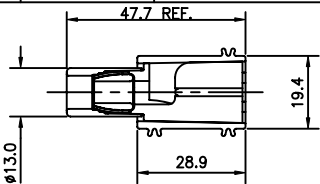


NOTES:

1. STANDARD PACK QUANTITY: 10 UNITS INCLUDING INSTRUCTION SHEET
2. ALL DIMENSIONS IN mm
3. MATERIALS = ALL PARTS NYLON 66 MONSANTO M344 FLAME RETARDENT (BLACK)

10 11 12 13

ITEM	DWG No.	DESCRIPTION	QUANTITY OF EACH ITEM REQUIRED FOR ASSEMBLY LISTED											
			OFM-C-1-19BLK	OFM-C-2-19BLK	OFM-C-3-19BLK	OFM-C-4-19BLK	OFM-C-5-19BLK	OFM-C-6-19BLK	OFM-C-7-19BLK	OFM-4-05-19BLK	OFM-T-05-19BLK	OFM-T-635-19BLK		
1	X14226	BODY	1	1	1	1	1	1	1	1	1	1	1	1
2	X14227	COVER	1	1	1	1	1	1	1	1	1	1	1	1
3	X14239 BLACK	KEVLAR ANCHOR ADAPTER - Ø3.0 (BLACK)	1	-	-	-	-	-	-	-	1	-	-	-
4	X14239 BLUE	KEVLAR ANCHOR ADAPTER - Ø3.5 (BLUE)	-	1	-	-	-	-	-	-	1	-	-	-
5	X14239 BROWN	KEVLAR ANCHOR ADAPTER - Ø4.5 (BROWN)	-	-	1	-	-	-	-	-	1	-	-	-
6	X14239 GREEN	KEVLAR ANCHOR ADAPTER - Ø5.5 (GREEN)	-	-	-	1	-	-	-	-	1	-	-	-
7	X14239 RED	KEVLAR ANCHOR ADAPTER - Ø6.5 (RED)	-	-	-	-	1	-	-	-	1	-	-	-
8	X14229	SPLIT ADAPTER Ø5 FBLT (BLACK)	-	-	-	-	-	-	-	-	2	2	-	-
9	X14291	SPLIT ADAPTER Ø6.35 FBLT (BLUE)	-	-	-	-	-	-	-	-	2	-	2	-
10	X08205	CABLE ANCHOR RETAINING RING - Ø3.5	1	-	-	-	-	-	-	-	1	-	-	-
11	X08204	CABLE ANCHOR RETAINING RING - Ø5.8	-	1	1	-	-	-	-	-	1	1	-	-
12	X08202	CABLE ANCHOR RETAINING RING - Ø8.8	-	-	-	1	1	1	-	-	1	-	1	-
13	X08206	CABLE ANCHOR RETAINING RING - Ø10.8	-	-	-	-	-	-	-	1	1	-	-	-
14	X14254	SYNTHETIC RUBBER ADAPTOR	-	-	-	-	-	-	1	1	1	-	-	-
15	X14151	GRP CRIMP RING - Ø2.5	OPTIONAL EXTRA	OPTIONAL EXTRA	OPTIONAL EXTRA	OPTIONAL EXTRA	OPTIONAL EXTRA	OPTIONAL EXTRA	OPTIONAL EXTRA	OPTIONAL EXTRA	OPTIONAL EXTRA	OPTIONAL EXTRA	OPTIONAL EXTRA	OPTIONAL EXTRA
16	X14151	GRP CRIMP RING - Ø3.0	OPTIONAL EXTRA	OPTIONAL EXTRA	OPTIONAL EXTRA	OPTIONAL EXTRA	OPTIONAL EXTRA	OPTIONAL EXTRA	OPTIONAL EXTRA	OPTIONAL EXTRA	OPTIONAL EXTRA	OPTIONAL EXTRA	OPTIONAL EXTRA	OPTIONAL EXTRA



FBLT Ø	Ø5mm	Ø5mm	Ø5mm	Ø5mm	Ø5mm	Ø5mm	Ø5mm	Ø5mm	Ø5mm	Ø5mm	Ø5mm	Ø5mm
CABLE ANCHOR MAX. RANGE	3.5	4.0	5.0	6.0	7.0	8.5	8.5	10.8	10.8 & Ø5.0 FBLT	10.8 & Ø5.0 FBLT	10.8 & Ø5.0 FBLT	10.8 & Ø5.0 FBLT
MIN.	2.5	3.0	4.1	5.1	6.1	7.0	7.0	8.5	2.5 & Ø6.35 FBLT	2.5 & Ø6.35 FBLT	2.5 & Ø6.35 FBLT	2.5 & Ø6.35 FBLT

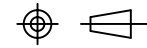
DO NOT SCALE

C.A.D DO NOT AMEND ENGINEERING DRAWING

TITLE  
1 TO 4 MANIFOLD FBLT TO FBLT CABLE ASSMBLIES

MATERIAL SEE NOTES

THIRD ANGLE PROJECTION



**miniflex**  
ALL MINIFLEX PRODUCTS ARE PROTECTED BY LAW UNDER THE APPROPRIATE INTELLECTUAL PROPERTY LEGISLATION

FINISH SEE NOTES  
ALL DIMENSIONS IN MILLIMETRES  
© COPYRIGHT 1996

UNTOLERANCED DIMENSIONS: WITHOUT DEC. POINT ONE DEC. PLACE TWO DEC. PLACES ANGULAR

F	01.03.04	TABLE_MODIFIED
E	02.11.98	TABLE_MODIFIED
D	02.11.98	TABLE_MODIFIED_NRC0068
ISSUE	CHANGE DATE	CHANGE
ISSUE	CHANGE DATE	CHANGE
A	24.07.98	FIRST_CHANGE
ISSUE	DATE	CHANGE
DRAWN	MRH	SCALE: NTS
CHECKED		DRG. No.
DATE	02.11.98	× 1 4 1 2 4
APPROVED	PDJ	

A  
B  
C  
D